



The hydrogenated water revolution


In our everyday life we come into contact with numerous chemical compounds and consume food with a high oxidative capacity. Hydrogen-enriched makes it an element contributing to a healthier lifestyle.

H₂ Hydrogen generation

ORP ORP reduction

 Easy maintenance

 Tap water not treated

 Filtered / RO Water treated



HAKTIVA
HYDROGEN WATER

Hydron

Hydrogen water generator. Hydron has been designed to take up as little space as possible in the kitchen. It offers several installation possibilities for you to choose the one that best suits your needs.



Technical Specifications

Production: 0,7 - 1 L./min.

H₂ concentrations: 1200 ppb*

Working pressure (min. - max.): 1 bar - 5 bar

Working temperature (min. - max): 5°C - 35 °C

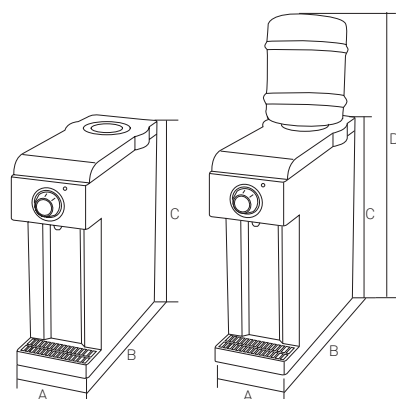
ORP values: -400 mV - -700 mV (*)

TDS (min. - max): 10 ppm- 150 ppm

Hardness (max.): < 5°HF

Chlorine: chlorine-free.

Power supply: DC 24 V / 5 A



Code	A	B	C	D
970224	148	360	360	-
970224 + 970198	148	360	360	575 mm

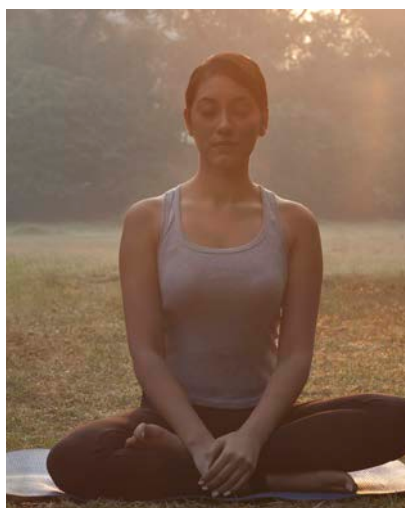
Código	Description	Weight Kg
970224	Hydrogen water generator	4,5

* (*) Depending on inlet quality water.

Código	Description
970198	Conversion kit to countertop



Everything you need to know
about Hydron and hydrogenated water:
www.hydron.eu/eng/hydrogen-water-faq.html



The hydrogen revolution.

Hydrogen is the chemical element with atomic number 1. It is the lightest of all elements and the most abundant in the universe, though not in the Earth.

Hydrogen is quite common in nature in combination with other elements such as oxygen, carbon or nitrogen (it is a part of water, the human body, plant and animal organisms, etc.).

1

Option A



2

Below work surface
installation

Versatile and functional equipment

1. Counter Top Work (Two options available):

Option A. Hydron can be installed on the top of the counter of your kitchen by connecting it to a high quality water network or a reverse osmosis equipment.

Option B. It can also be installed with an electrical connection and a hydraulic supply by using glass bottle. This water may be osmosis water or bottled water with a very low mineralisation, meaning you will always have access to hydrogen-rich water (hydrogenated water) whenever you want it.

For this second type of installation, you must purchase the bottle kit (Ref. 970198).

2. Undersink:

Hydron + reverse osmosis in your 1, 2, 3 or 4-way tap. Meaning you will have access to hydrogen-rich, osmosis hot and cold water according to the tap installed.

Haktiva

Hydrogen generator system, easy to use and install, compact and ideal for small productions.



Technical Specifications

H₂ concentrations: 800-1200 ppb*
 Working pressure (min. – max.): 1 bar – 5 bar
 Working temperature (min. – max): 3°C – 40 °C
 ORP values: -400 mV – -700 mV (*)
 TDS (min. – max): 10 ppm– 300 ppm
 Hardness (max.): < 5°HF
 Chlorine: chlorine-free.
 Power supply: DC 24 V / 1,2 A

Special Specifications

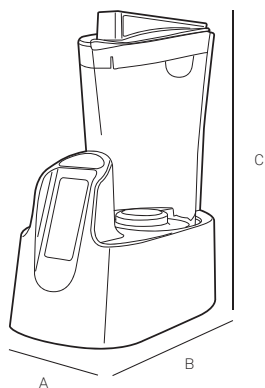
Polarity inversion function to clean the electrodes.
 Electronic warnings to take care of the unit properly.

ORIGINAL COMPONENTS:

Body.
 Jar.
 Adaptor.

ORIGINAL CONSUMABLES:

Ozone filter.
 Softening filter.



Code	A	B	C
795114	160	290	326 mm

Código	Description	Capacity L.	ORP Values	Weight Kg
970042	Hydrogen water generator	2	-400 mV – -700 mV (*)	1,9

* (*) Depending on inlet quality water.

Hydron demo case



Code	Packaging units	Description
970235	1	Empty Demo case "HYDRON"
970262*	1	"HYDRON" Demo case ("HYDRON" not included)

*includes codes: 330909, 330903, 330904, 271700, 267900, 271807 y 271301.



Code	Packaging units	Description
330909	1	Blue test reagent 10ml (hydrogen analyzer)



Code	Packaging units	Description
330903	1	ORP meter eco



Code	Packaging units	Description
330904	1	ORP meter



Code	Packaging units	Description
330910	1	Digital hydrogen meter



Code	Packaging units	Description
330911	1	Electrode hydrogen meter for 330910



Code	Packaging units	Description
271701	1	Dpd - phenol ozone analyzer