



5. Commercial and industrial RO

Commercial and industrial RO

Applications

Aquabier

Beaqua

Purecleer Mini

Purecleer Panel

Purecleer Base

Purecleer Standard

Purecleer Compact 403

Purecleer Compact 800

Specials projects



C500 C700

RO COMERCIAL 500 RO COMERCIAL 700

The most versatile direct flow RO.

Description

450685. COMMERCIAL RO SYSTEM C-500. Including a prefiltration made of (sediment 5µm, Carbon GAC and Carbon block), 400 GPD membrane and auto flushing. Manometer , inlet and drain connectors. In this case faucet and tank are not included because depending on the installation it is better to use a bigger or smaller pressure tank as well as faucet model.

450699. COMMERCIAL RO SYSTEM C-700 . Including a prefiltration made of (sediment 5µm, Carbon GAC and Carbon block), 600 GPD membrane and auto flushing. Manometer , inlet and drain connectors. In this case faucet and tank are not included because depending on the installation it is better to use a bigger or smaller pressure tank as well as faucet model.



Consummables for periodic maintenance



1. 209200. Spun pp cartridge 9 3/4" 5µ.
2. 213600. GAC cartridge 10".
3. 214000. Carbon block cartridge 9 7/8" 10µ.
4. 292707. Membrane 400 GPD greenfilter (Membrane 600 GPD ref. 450702 model C700).



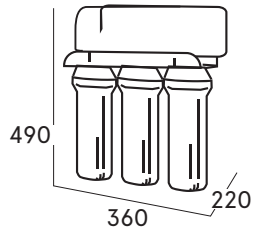
Features

Start and stop of the system

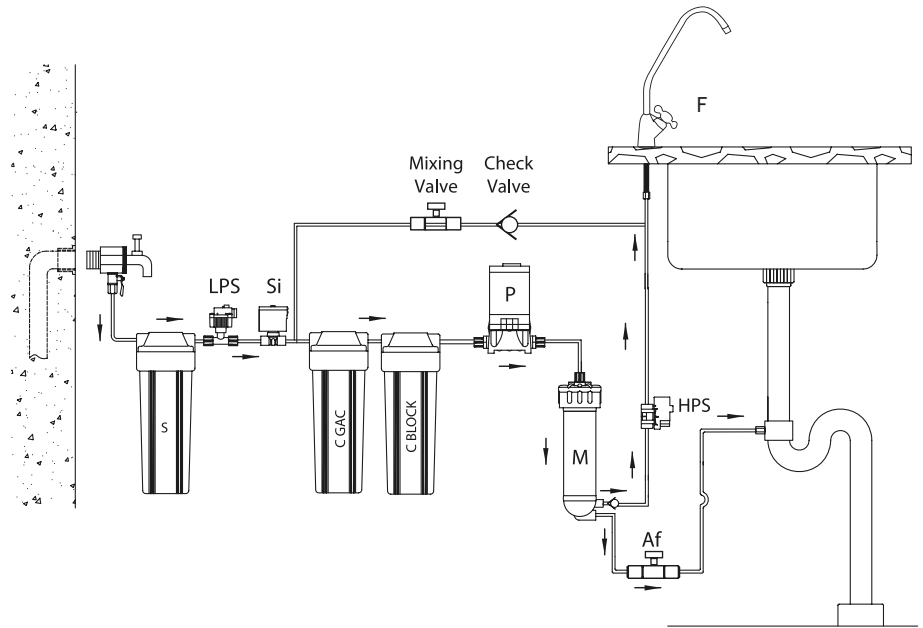
This system is provided with a low (pump protection) and high pressure switches for operation control. It stops the system when the tank is full and starts again when it is partially emptied.

Dimensions and weight

Weight: 12 kg



Hydraulic diagram





The most versatile commercial RO.

Description

450701. COMMERCIAL RO SYSTEM C-1200. Including a 20" prefiltration made of (sediment 5µm, Carbon GAC and Carbon block), 2 X 600 GPD membrane with 2 X Diaphragm pumps and auto flushing with reverse osmosis water (2 small pressure tanks included). Inlet and drain connectors. In this case faucet and tank are not included because depending on the installation it is better to use a bigger or smaller pressure tank as well as faucet model.



Consummables for periodic maintenance



1. 209800. Spun pp cartridge 20" 5µm.
2. 213700. GAC cartridge 20".
3. 214100. Carbon block cartridge 20" 10µm.
4. 450702. Membrane 600 GPD greenfilter.



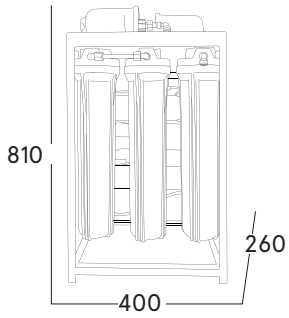
Features

Start and stop of the system

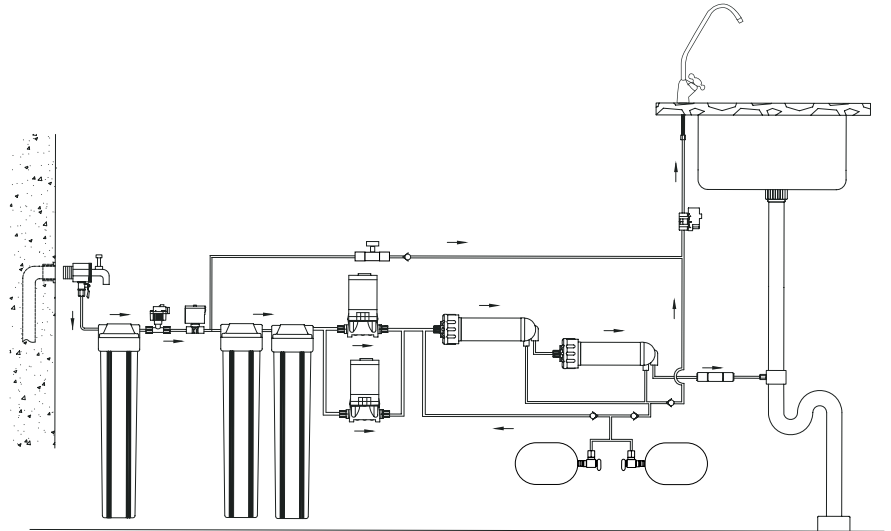
This system is provided with a low (pump protection) and high pressure switches for operation control. It stops the system when the tank is full and starts again when it is partially emptied.

Dimensions and weight

Weight: 26 kg



Hydraulic diagram





reverse
cp600
osmosis

The most compact commercial RO.

Description

796215. IND. RO SYSTEM PREMIUM CP-600. Including a 18" FT bayonetted prefiltration made of (sediment 5µm, Carbon GAC X 2 and Carbon block), 3 X capsulated 180 GPD membrane (first two membranes in parallel and rejection of both goes to the third so ecofriendly recovery of 1 liter permeate – 1 liter drain), auto flushing, manometer and mixing valve. inlet and drain connectors. In this case faucet and tank are not included because depending on the installation it is better to use a bigger or smaller pressure tank as well as faucet model.



Consumables for periodic maintenance



1. 799571. PP 5µm FT cartridge 18".
2. 799572. GAC FT cartridge 18".
3. 799572. GAC FT cartridge 18".
4. 799573. BLOCK FT cartridge 18".
5. 292709. Capsulated membrane 180 GPD Greenfilter.
6. 292709. Capsulated membrane 180 GPD Greenfilter.
7. 292709. Capsulated membrane 180 GPD Greenfilter.



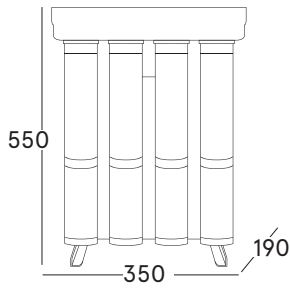
Features

Start and stop of the system

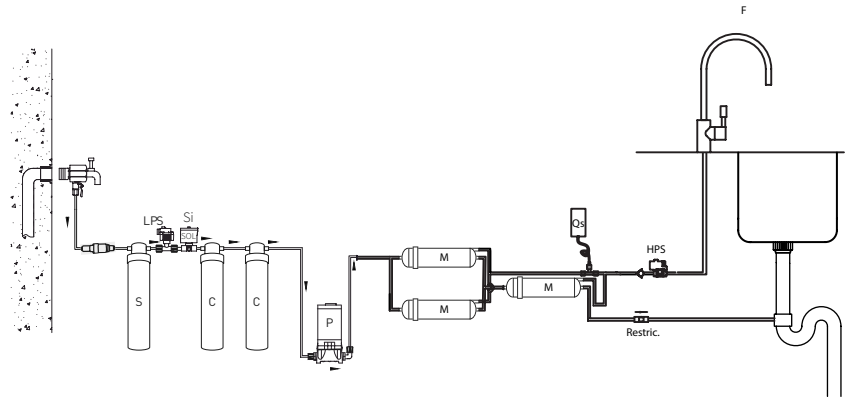
This system is provided with a low (pump protection) and high pressure switches for operation control. It stops the system when the tank is full and starts again when it is partially emptied.

Dimensions and weight

Weight: 14 kg



Hydraulic diagram



Applications



Domestic / hotel industry
Ice makers
Glass washing
Household applications

aqua**bier**



Hotel and catering sector
Espresso machines
Ice cube makers

BeAqua₄₀₀₀



Industrial sector and
Horeca sector
Glass washing
Industrial dishwashers
Household applications

PureClear

Mini System



PureClear
INDUSTRIAL REVERSE OSMOSIS

Panel RO System



Industry
Service / Consumption
Car wash tunnels
Industrial ice makers



PureClear
INDUSTRIAL REVERSE OSMOSIS

Base RO System



Industry
Cooling towers
Agriculture and chemical
industry



PureClear
INDUSTRIAL REVERSE OSMOSIS

Standard RO System



Industry
Pharmaceutical
Electronics

aquabier Designed for feeding dishwasher, ice machines, soda dispensers, coffee machines.



Front view



Internal view



Lateral view accumulation and pressure group

D²B Designed in Barcelona

Ósmosis Aquabier

Thanks to the compact design and high performance, this system is ideal for hotel industry, specially for dishwashers that requires high quality water and constant pressure. It incorporates all necessary stages and a stainless steel pressure group.

General specifications:

Production: 400 L/day.
 3 white 10" filter housings.
 5 µm 10" melt blown polypropylene pre-filter.
 10" GAC carbon pre-filter.
 10" BLOCK carbon pre-filter.
 Booster pump.
 Current transformer/adaptor 220 VAC -24 VDC for operation.
 Inlet electrovalve.
 Low pressure switch.
 600 GPD 3213 membrane.
 Flow restrictor for rejection 2000 cc.

Inox check valve.
 Water tank: 35 l.
 Stainles steel pressure group
 1/4 CV.

Technical specifications:

Operating voltage: 220 V monophase/50 Hz.
 Max. TDS: 1500 ppm.
 Max. hardness: 15 °F.
 Working temperature: 4-40°C.
 Inlet pressure: between 2 and 6 bar.
 Outlet pressure: 3 bar at 11 l/minute.

Dimensions:

Height: 833 mm.
 Width: 478 mm.
 Length: 458 mm.

* Production calculated at 25 °C, 250 ppm and using soft water.

Code	Packaging units	Description	Recommended production	Membranes units
796216	1	White AQUABIER. Lacquered galvanized iron cabinet	400	1 x 3013-600 GPD
796217	1	Stainles steel AQUABIER. Stainles steel 304 cabinet	400	1 x 3013-600 GPD



Reverse osmosis systems for community and semi-industrial applications.



Commercial RO Bequa

Thanks to the small dimensions and high performance, this system is ideal for small business, the hotel and catering sector or industrial applications, which require high quality water.

Includes all necessary treatment stages. Its performance can be notably improved if soft water is used.

General specifications:

Production: 3400 L/day.
3 white 20" filter housings.
5 µm 20" melt blown polypropylene pre-filter.
20" GAC carbon pre-filter.
20" BLOCK carbon pre-filter.
Rotary vane pump 400 L/h.
Motor 1/2 CV.
Low pressure switch.
High pressure switch.
Current transformer/adaptor for operation.
Inlet electrovalve.

3 x 400 GPD 3013 membranes.
Flow restrictor for rejection 2500 cc.
Check valve.
Time-controlled electrovalve for membrane flushing.
Auto-flushing system with permeated water (optional).
Material: Stainless steel/plastic.

Technical specifications:

Operating voltage: 220 V single-phase/50 Hz.
Max. TDS: 1500 ppm.
Max. hardness: softened water.
Working temperature: 4-40 °C.

Inlet pressure: between 2 and 6 bar.

Dimensions:

Height: 725 mm.
Width: 620 mm.
Length: 385 mm.

Appropriate pre-treatment must be considered according to the quality of water to be treated.

Production calculated at 25 °C, 250 ppm and using soft water.

Code	Packaging units	Description	Production L/day	Water recovery %	Membranes units
796204	1	Bequa	3400	40-55	3 x 3013-400 GPD

Options

Code	Packaging units	Description	Capacity galons
262703	1	Pressure tank for flushing with osmosis water	4,2

Membranes

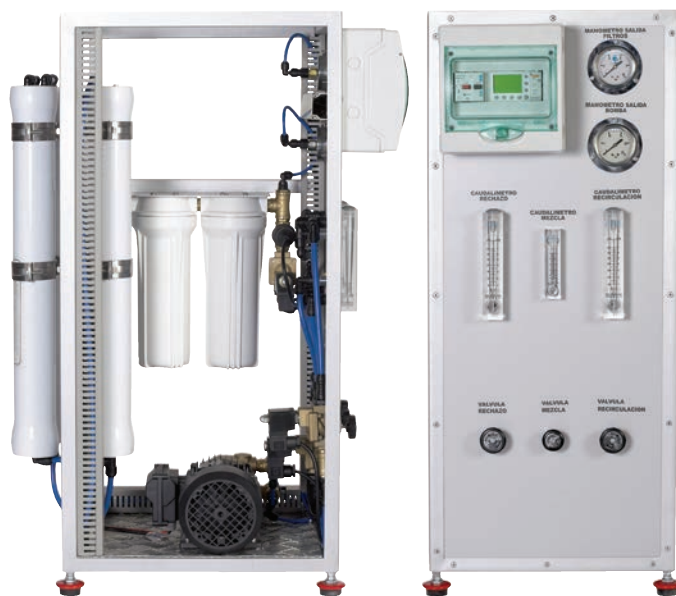
Code	Packaging units	Description
292707	1	3013 400 GPD membrane

! Please, ask for other voltages and frequencies.

PureClear

Specially designed systems for domestic and industrial use.

PURECLEER MINI.



D3 Designed
in Barcelona

Pureclear Mini

Automatic and compact systems assembled on an iron structure, with baked-on paint coating and anti-corrosion treatment.

General specifications:

2 x 9 3/4" housings for 5 and 1 µm filtration.
Brass electrovalves.
Low pressure switch.
Brass rotary vane pump.
TFC membranes.
Medium pressure PRFV housings.
Electrical power board with programmer and TDS.
Automatic flushing system.
Rejection flowmeter.

Production flowmeter.
Rejection adjustment valve.
Recirculation adjustment valve.
2 Pressure gauges.
Front panel made of lacquered, anodized aluminium.

Technical specifications:

Operating voltage:
220 V single-phase/50 Hz.
Max. TDS: 2500 ppm.
Inlet pressure: between 2 and 6 bar.

Dimensions:

Height: 900 mm.
Width: 450 mm.
Length: 400 mm.

Appropriate pre-treatment must be considered according to the quality of water to be treated.

Production calculated at 18 °C and 2000 ppm.

Code	Packaging units	Production L/day	Water recovery %	Membranes units	Type of membrane
232700	1	1400	20 - 45	2	25 x 21
232800	1	2000	27 - 55	3	25 x 21
233000	1	3300	32 - 45	2	25 x 40

Options

Code	Packaging units	Description
238901	1	Flowmeter mixing kit + Electrovalve and needle valve for mixing water

Code	Packaging units	Description
539405	1	Digital conductivity meter for treated water

! Please, ask for other voltages and frequencies.

PureClear

PURECLEER PANEL.



D Designed
in Barcelona



Pureclear Panel

Automatic and compact systems assembled on an aluminium panel for wall mounting, and anti-corrosion treatment.

General specifications:

2 x 9 3/4" housings for 5 and 1 µm filtration.
Brass electrovalves.
Low pressure switch.
Brass rotary vane pump.
TFC membranes.
Medium pressure PRFV housings.
Electrical power board with programmer and TDS.
Automatic flushing system.
Rejection flowmeter.

Recirculation flowmeter.
Production flowmeter.
Rejection adjustment valve.
Recirculation adjustment valve.
3 Pressure gauges.
Front panel made of lacquered aluminium.

Technical specifications:

Operating voltage 220/380 V
single-phase/three-phase/50 Hz.
Max. TDS 2500 ppm.
Inlet pressure: between 2 and 6 bar.

Dimensions:

Height: 1300 mm.
Width: 200 mm.
Length: 980 mm.

Appropriate pre-treatment must be considered according to the quality of water to be treated.

Production calculated at 18 °C at 2000 ppm.

Code	Packaging units	Production L/day	Water recovery %	Membranes units	Type of membrane
233600	1	1680	19 - 35	1	25 x 40
233700	1	3360	32 - 45	2	25 x 40
233800	1	5040	42 - 55	3	25 x 40
233900	1	6720	48 - 65	4	25 x 40
234000	1	4800	30 - 50	1	40 x 40

Options

Code	Packaging units	Description
238902	1	Flowmeter mixing kit + Electrovalve and needle valve for mixing water

Code	Packaging units	Description
539405	1	Digital conductivity meter for treated water

! Para Please, ask for other voltages and frequencies. this system can be manufactured with multicellular pump to be installed in the floor with 2x4040 membranes (Code 234101).

PureClear

INDUSTRIAL REVERSE OSMOSIS

PURECLEAR BASE.



Pureclear Base

Automatic and compact systems assembled on an iron structure, with baked-on paint finish and anti-corrosion treatment.

General specifications:

2 x 20" housings for 5 and 1 µm filtration.
Brass electrovalves.
Low pressure switch.
Stainless steel 304 multicellular pump.
TFC membranes.
Medium pressure PRFV housings.
Electrical power board with programmer and TDS.
Automatic flushing system.
Rejection flowmeter.
Recirculation flowmeter.

Production flowmeter.
Rejection adjustment valve.
Recirculation adjustment valve.
4 Pressure gauges.
Polyamide and PVC tubes.
Front panel made of lacquered, anodized aluminium.

Technical specifications:

Operating voltage 380 V three-phase/50 Hz.
Max. TDS 3500 ppm.

Inlet pressure: between 2 and 6 bar.

Dimensions:

Height: 1700 mm.
Width: 650 mm.
Length: 500 mm.

Appropriate pre-treatment must be considered according to the quality of water to be treated.

Production calculated at 18°C at 2000 ppm.

Code	Packaging units	Production L/day	Water recovery %	Membranes units	Type of membrane
234400	1	3600	32 - 45	2	25 x 40
234500	1	5280	42 - 55	3	25 x 40
234600	1	6600	48 - 65	4	25 x 40
234800	1	4800	30 - 50	1	40 x 40
234900	1	9600	33 - 50	2	40 x 40
235000	1	14200	39 - 65	3	40 x 40
235100	1	19200	48 - 65	4	40 x 40
235101	1	24000	50 - 70	5	40 x 40
235102	1	28800	50 - 70	6	40 x 40

Options

Code	Packaging units	Description
238900	1	Flowmeter mixing kit + Electrovalve and needle valve for mixing water
539405	1	Digital conductivity meter for treated water
239200	1	Flushing system kit



Please, ask for other voltages and frequencies.

PureClear
INDUSTRIAL REVERSE OSMOSIS
PURECLEER STANDARD.



Pureclear Estándar

Automatic and compact systems assembled on an iron structure, with baked-on paint coating and anti-corrosion treatment.

General specifications:

2 x 20" housings for 5 and 1 μm filtration.
Brass inlet electrovalve.
Brass/SS flushing electrovalve or motorised valve.
Low pressure switch.
Multicellular pump made of AISI 316 stainless steel.
TFC membranes.
PRFV housings.
Electrical power board with programmer and TDS.
Automatic flushing system with permeated water.
Rejection flowmeter.
Recirculation flowmeter.

Production flowmeter.
Rejection adjustment valve.
Recirculation adjustment valve.
4 Pressure gauges.
AISI 316 SS/polyamide/PVC tubes.
Front panel made of lacquered, anodized aluminium.
Conductivity meter.

Technical specifications:

Operating voltage 380 V three-phase/50 Hz.
Max. TDS 6000 ppm.
Inlet pressure: between 2 and 6 bar.

Dimensions:

Height: 1700 mm.
Width: 650 mm.
Length: 1500 mm.
Appropriate pre-treatment must be considered according to the quality of water to be treated.
Production calculated at 18 °C at 2000 ppm.

Code	Packaging units	Production L/day	Water recovery %	Membranes units	Type of membrane
236400	1	3600	32 - 45	2	25 x 40
236500	1	5850	42 - 55	3	25 x 40
236600	1	6600	48 - 65	4	25 x 40
236800	1	4800	30 - 50	1	40 x 40
236900	1	9600	33 - 50	2	40 x 40
237000	1	14200	39 - 65	3	40 x 40
237100	1	19200	48 - 65	4	40 x 40
237200	1	24000	50 - 70	5	40 x 40
237201	1	28800	50 - 70	6	40 x 40

! Note: the components of the materials used for manufacturing depend on inlet water.
For TDS values higher than 6000 ppm, please ask for a quotation. Please, ask for other voltages and frequencies.

PureClear
PROFESSIONAL WATER TREATMENT

**PURECLEER
COMPACT 403.**



Pureclear compact 403

Automatic and compact systems assembled on a painted iron structure, and with anti-corrosion treatment.

General specifications:

Multi-cartridge system for filtration.
Pneumatic electrovalves.
Low pressure switch.
Multicellular pump made of SS 316.
TFC membranes.
PRFV housings.
Electrical power board with programmer and TDS.
Automatic flushing system with permeated water.

Rejection flowmeter.
Production flowmeter.
Rejection adjustment valve.
Glycerine pressure gauges.
PVC/stainless steel tubes.
Inlet and outlet conductivity meter.

Technical specifications:

Operating voltage 380 V
three-phase/50 Hz.
Inlet pressure: between 2 and 6 bar.

Dimensions:

Depending on the quotation.

Production calculated at 18 °C and 2000 ppm.

Appropriate pre-treatment must be considered according to the quality of water to be treated.

Code	Packaging units	Production L/day	Water recovery %	Membranes units	Type of membrane
237600	1	43000	50 - 70	9	40 x 40
237700	1	48000	50 - 70	12	40 x 40
237800	1	77000	50 - 75	16	40 x 40

Options

Code	Packaging units	Description
239500	1	Redox potential
239400	1	PHmeter

! *These systems are quoted under request.
Please, ask for other voltages and frequencies.*

PureClear
INDUSTRIAL WATER TREATMENT

PURECLEER
COMPACT 800.



Pureclear compact 800

Automatic and compact systems assembled on a painted iron structure, and with anti-corrosion treatment.

General specifications:

Multi-cartridge system for filtration.
Pneumatic electrovalves.
Low pressure switch.
Multicellular pump made of SS 316.
TFC membranes.
PRFV housings.
Electrical power board with programmer and TDS.
Automatic flushing system with permeated water.

Rejection flowmeter.
Production flowmeter.
Rejection adjustment valve.
Glycerine pressure gauges.
PVC/stainless steel tubes.
Inlet and outlet conductivity meter.

Technical specifications:

Operating voltage 380 V
three-phase/50 Hz.
Inlet pressure: between 2 and 6 bar.

Dimensions:

Depending on the quotation.

Production calculated at
18 °C at 2000 ppm.

Appropriate pre-treatment must be
considered according to the quality
of water to be treated.

Code	Packaging units	Production L/day	Water recovery %	Membranes units	Type of membrane
237900	1	72000	50 - 55	3	80 x 40
238000	1	96000	50 - 60	4	80 x 40
238100	1	144000	50 - 70	6	80 x 40
238200	1	216000	50 - 65	9	80 x 40
238400	1	288000	50 - 70	12	80 x 40

Options

Code	Packaging units	Description
239500	1	Redox potential
239400	1	PHmeter

! These systems are quoted under request.
Please, ask for other voltages and frequencies.

Specials projects

Puricom Europe has a technical department specialised in industrial projects, which allows us to meet your requirements. A sample of some of the projects that have been carried out is shown below: Complete Reverse Osmosis plants for brackish water, with a production of up to 2,000 m³/day. This water can be used for irrigation, industry, drinking water...: Desalination plants to treat water with a high salinity level, for both brackish or sea water. Double pass RO systems to obtain low conductivities for pharmaceutical processes, laboratories, ...
If you need a special system, do not hesitate to contact us for a customised project.



Ultrafiltration system of 4.000 l/day for the purification of drinking water installed in Uganda.



Industrial Reverse Osmosis of 400.000 l/day for a steam boiler treatment installed in Relizane (Argelia).



Industrial Reverse Osmosis of 60.000 l/day installed in Argelia.



Industrial Reverse Osmosis of 43.000 l/day for the purification of drinking water in a chicken farm installed in L rida (Spain).