



11. Ultraviolet systems

General applications

UV Compact

0,12-0,24 m³/h

0,36-0,48 m³/h

0,96-1,2 m³/h

1,4-1,7 m³/h

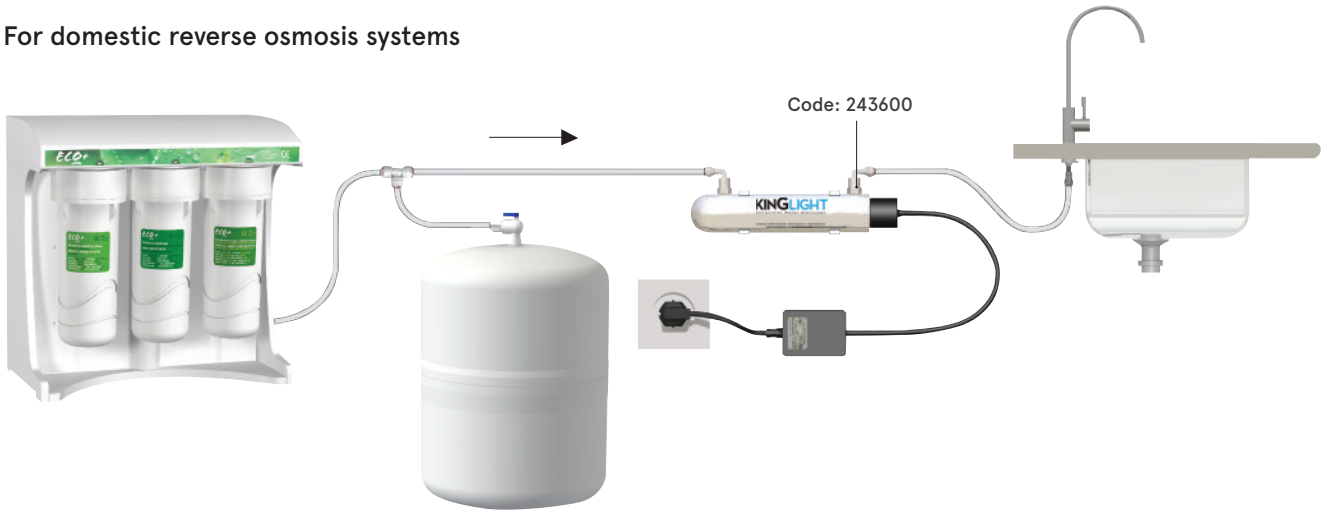
2,8-3,3 m³/h

4,8-5,8 m³/h

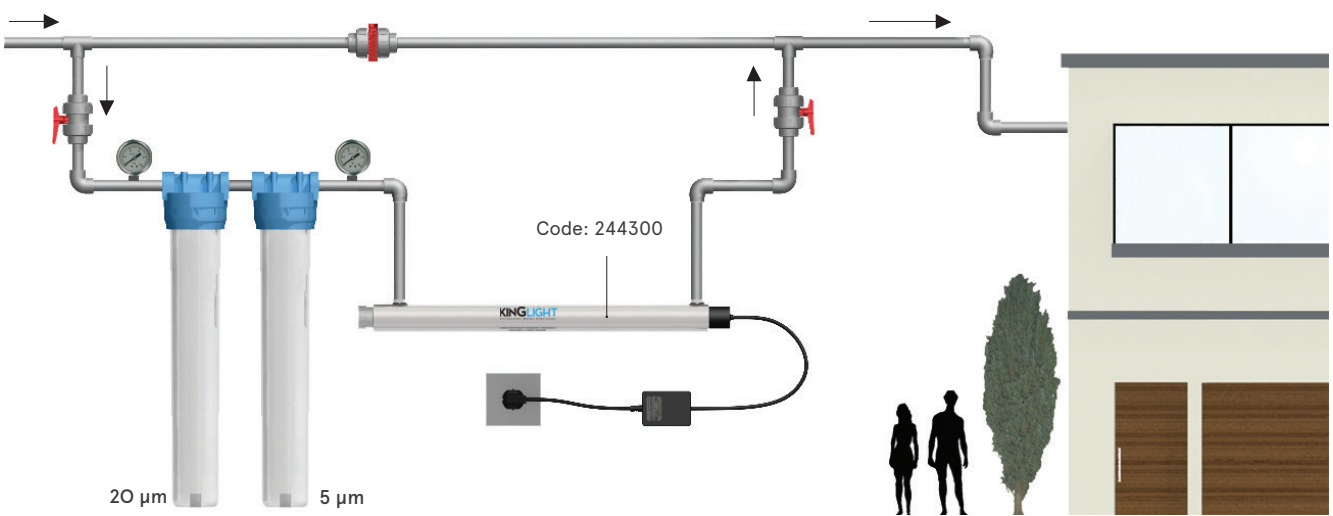
10-12 m³/h

General applications

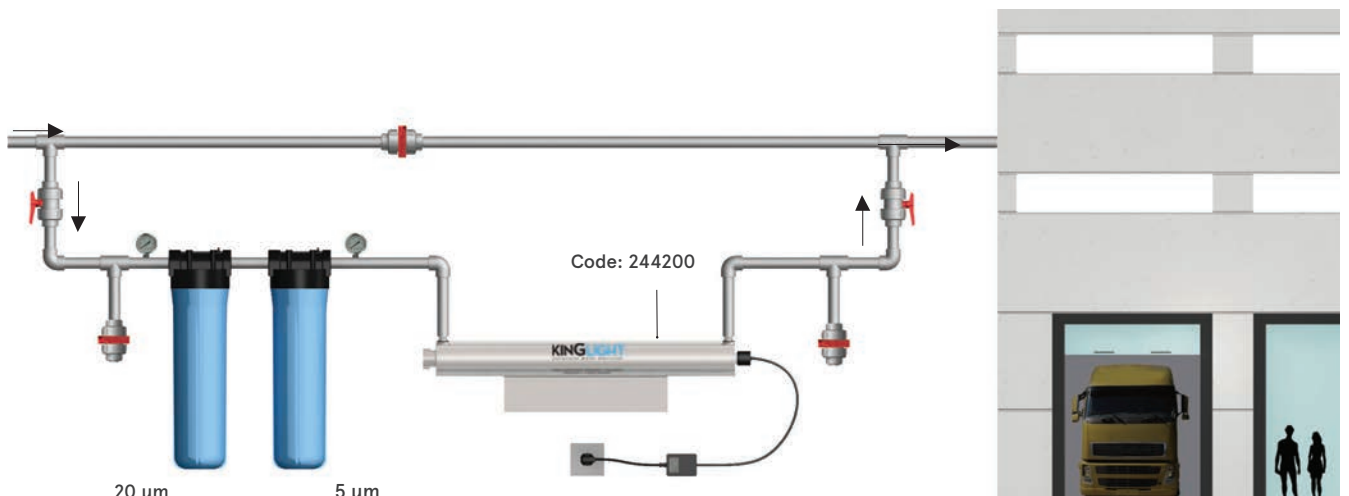
For domestic reverse osmosis systems



Whole house application

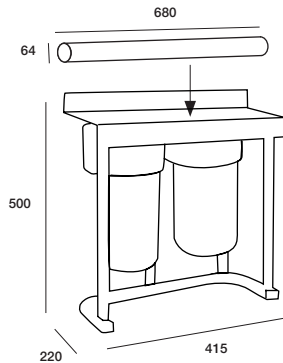


For industry



UV Compact 32

UV Compact 32 is an ultraviolet system with the filtration included and ready to work. It can be placed on the wall or on the floor.



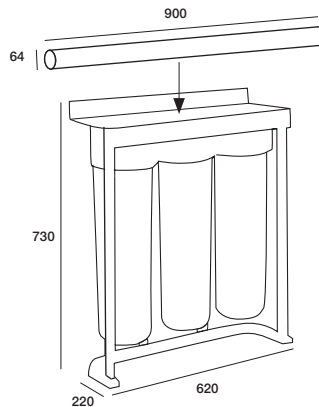
System components:

- Structure in stainless steel 304.
- 2 Filters BIG of 10" blue colour. Connection 1" F.
- 1 polypropilene cartridge 50 microns 10" (211000).
- 1 carbon block cartridge 10" (214200).
- UV system 32 w.

Code	Packaging units	No. of lamps	Power W	Treatment flow	Inlet Connection	Outlet Connection	Max. pressure kg/cm ²	Lamp failure indicator	Lamp life h	Material
724502	1	1	32	1,4 m ³ /h	1"-F	1/2"-F	8	Led/alarm	9000	Inox 304

UV Compact 39

UV Compact 39 is an ultraviolet system with the filtration included and ready for work. It can be placed on the wall or on the floor.



System components:

- Structure in stainless steel 304.
- 3 Filters BIG of 20" blue colour. Connection 1".
- 1 polypropilene cartridge 50 microns 20" (211200).
- 1 polypropilene cartridge 5 microns 20" (211100).
- 1 carbon block cartridge 20" (214300).
- UV system 39 w.

Code	Packaging units	No. of lamps	Power W	Treatment flow	Inlet Connection	Outlet Connection	Max. pressure kg/cm ²	Lamp failure indicator	Lamp life h	Material
724503	1	1	39	2,8 m ³ /h	1"-F	3/4"-F	8	Led/alarm	9000	Inox 304



UV0240LH / 1 GPM



Code	Packaging units	No. of lamps	Power W	Filtered water flow 10 µm	RO water flow.	Connection	Max. pressure kg/cm ²	Lamp failure indicator	Lamp life h	Material
243600	1	1	6	0,12 m ³ /h	0,24 m ³ /h	1/4" F	6	Led	5000	Inox 304

UV lamp spare part

Code	Packaging units	Power W	Current	Diameter mm.	Length mm.
244600	1	6	150 mA	15,5	212

Philips replacement

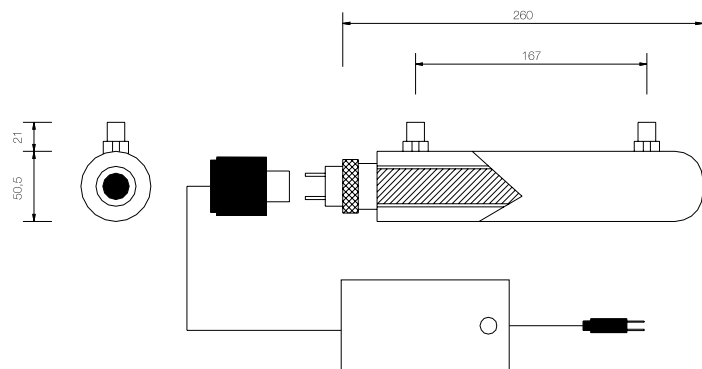
Code	Packaging units	Power W	Current	Diameter mm.	Length mm.
244603	1	6	150 mA	15,5	212

Q-sleeve spare part

Code	Packaging units	Diameter mm.	Length mm.
245100	1	23	240

Ballast spare part

Code	Packaging units	Input voltage	Connection
245602	1	220-240 V	C



! Power supply: 220 V/50 Hz. To ensure the proper operation and germicidal capacity of the UV systems, inlet water must be filtered at 10-5 µm. Please ask our technical department. Please, ask for other connectors, voltages and power frequencies.



UV0480LH / 2 GPM



Code	Packaging units	No. of lamps	Power W	Filtered water flow 10 µm	RO water flow.	Connection	Max. pressure kg/cm ²	Lamp failure indicator	Lamp life h	Material
244000	1	1	14	0,36 m ³ /h	0,48 m ³ /h	1/4" F	8	Led	9000	Inox 304

UV lamp spare part

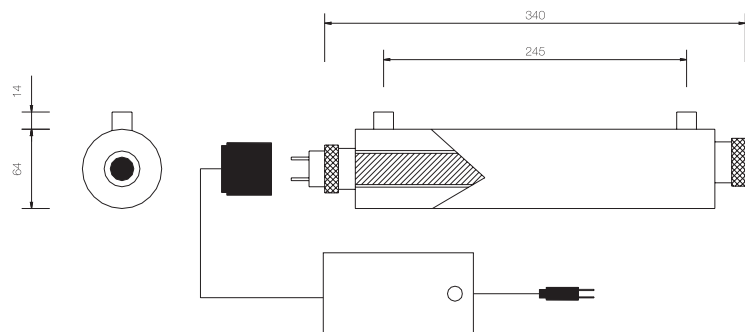
Code	Packaging units	Power W	Current	Diameter mm.	Length mm.
244800	1	14	425 mA	15,5	287

Q-sleeve spare part

Code	Packaging units	Diameter mm.	Length mm.
245200	1	23	300

Ballast spare part

Code	Packaging units	Input voltage	Connection
245700	1	220-240 V	C



! Power supply: 220 V/50 Hz. To ensure the proper operation and germicidal capacity of the UV systems, inlet water must be filtered at 10-5 µm. Please ask our technical department. Please, ask for other connectors, voltages and power frequencies.



UV1200LH / 4 GPM



Code	Packaging units	No. of lamps	Power W	Filtered water flow 10 µm	RO water flow.	Connection	Max. pressure kg/cm ²	Lamp failure indicator	Lamp life h	Material
244100	1	1	24	0,96 m ³ /h	1,2 m ³ /h	1/2" F	8	Led/alarm	9000	Inox 304

UV lamp spare part

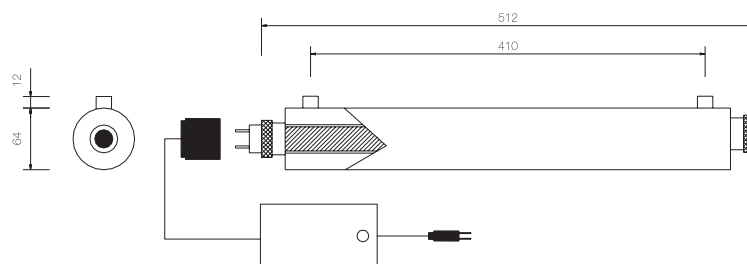
Code	Packaging units	Power W	Current	Diameter mm.	Length mm.
244500	1	24	425 mA	15,5	450

Q-sleeve spare part

Code	Packaging units	Diameter mm.	Length mm.
245500	1	23	500

Ballast spare part

Code	Packaging units	Input voltage	Connection
776400	1	220-240 V	C



! Power supply: 220 V/50 Hz. To ensure the proper operation and germicidal capacity of the UV systems, inlet water must be filtered at 10-5 µm. Please ask our technical department. Please, ask for other connectors, voltages and power frequencies.



UV1700LH / 6 GPM



Code	Packaging units	No. of lamps	Power W	Filtered water flow 10 µm	RO water flow.	Connection	Max. pressure kg/cm ²	Lamp failure indicator	Lamp life h	Material
244300	1	1	32	1,4 m ³ /h	1,7 m ³ /h	1/2" F	8	Led	9000	Inox 304

UV lamp spare part

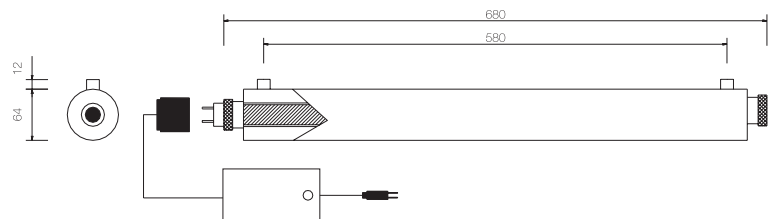
Code	Packaging units	Power W	Current	Diameter mm.	Length mm.
244900	1	32	425 mA	15,5	645

Q-sleeve spare part

Code	Packaging units	Diameter mm.	Length mm.
245300	1	23	670

Ballast spare part

Code	Packaging units	Input voltage	Connection
776400	1	220-240 V	C



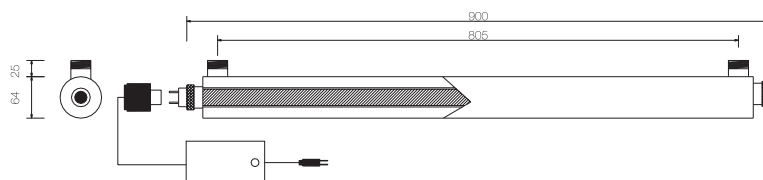
! Power supply: 220 V/50 Hz. To ensure the proper operation and germicidal capacity of the UV systems, inlet water must be filtered at 10-5 µm. Please ask our technical department. Please, ask for other connectors, voltages and power frequencies.



UV3300LH / 12 GPM



Code	Packaging units	No. of lamps	Power W	Filtered water flow 10 µm	RO water flow.	Connection	Max. pressure kg/cm ²	Lamp failure indicator	Lamp life h	Material
243900	1	1	39	2,8 m ³ /h	3,3 m ³ /h	3/4" F	8	Led/alarm	9000	Inox 304

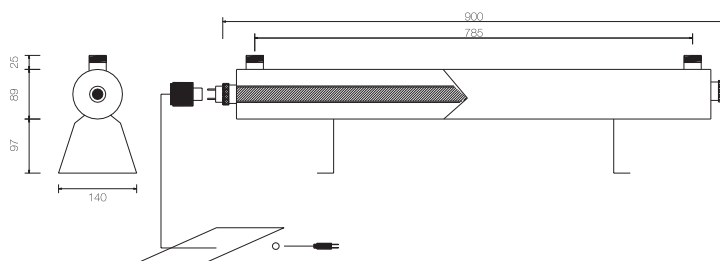


! Power supply: 220 V/50 Hz.
Spare parts in page 301.

UV3300LH / 12 GPM



Code	Packaging units	No. of lamps	Power W	Filtered water flow 10 µm	RO water flow.	Connection	Max. pressure kg/cm ²	Lamp failure indicator	Lamp life h	Material
243700	1	1	39	2,8 m ³ /h	3,3 m ³ /h	3/4" F	8	Led/alarm	9000	Inox 304



! Power supply: 220 V/50 Hz. To ensure the proper operation and germicidal capacity of the UV systems, inlet water must be filtered at 10-5 µm. Please ask our technical department. Please, ask for other connectors, voltages and power frequencies.
UV lamp spare parts in page 301.

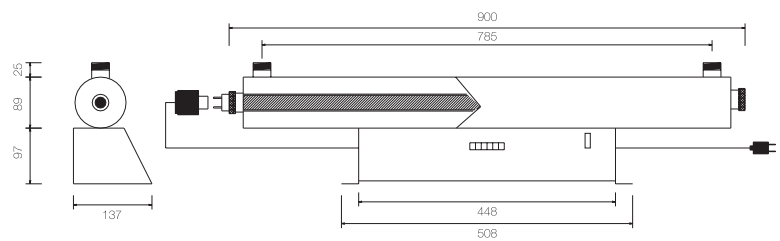


UV3300LH / 12 GPM



Code	Packaging units	No. of lamps	Power W	Filtered water flow 10 µm	RO water flow.	Connection	Max. pressure kg/cm ²	Lamp failure indicator	Lamp life h	Material
243800	1	1	39	2,8 m ³ /h	3,3 m ³ /h	3/4" F	8	Led/alarm	9000	Inox 304

Includes hour meter.

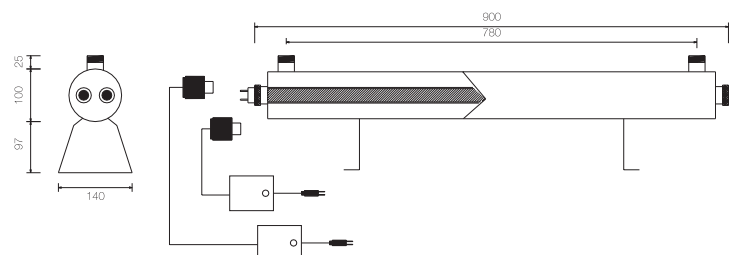


! Power supply: 220 V/50 Hz.
Spare parts in page 301.

UV5800LH / 24 GPM



Code	Packaging units	No. of lamps	Power W	Filtered water flow 10 µm	RO water flow.	Connection	Max. pressure kg/cm ²	Lamp failure indicator	Lamp life h	Material
244400	1	2	39x2	4,8 m ³ /h	5,8 m ³ /h	1" F	8	Led/alarm	9000	Inox 304



! Power supply: 220 V/50 Hz. To ensure the proper operation and germicidal capacity of the UV systems, inlet water must be filtered at 10-5 µm. Please ask our technical department. Please, ask for other connectors, voltages and power frequencies.
UV lamp spare parts in page 301.

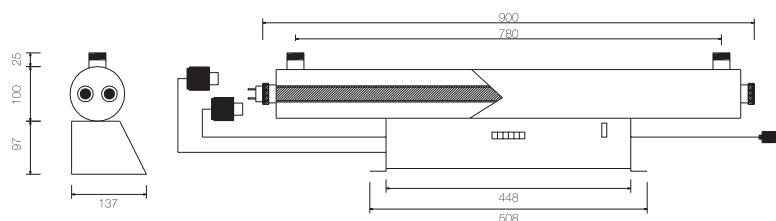


UV5800LH / 24 GPM



Code	Packaging units	No. of lamps	Power W	Filtered water flow a 10 µm	RO water flow.	Connection	Max. pressure kg/cm ²	Lamp failure indicator	Lamp life h	Material
244200	1	2	39x2	4,8 m ³ /h	5,8 m ³ /h	1" F	8	Led/alarm	9000	Inox 304

includes hour meter

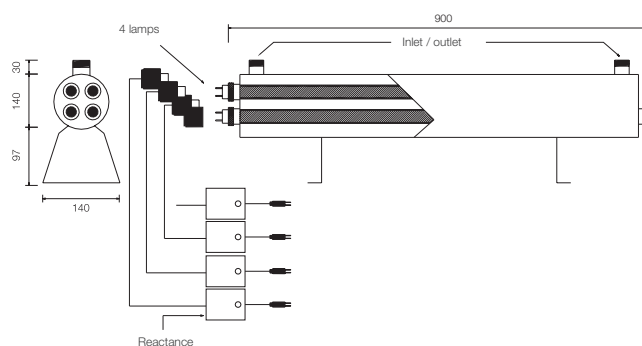


! Power supply: 220 V/50 Hz.
Spare parts in page 301.

UV12000LH / 48 GPM



Code	Packaging units	No. of lamps	Power W	Filtered water flow a 10 µm	RO water flow.	Connection	Max. pressure kg/cm ²	Lamp failure indicator	Lamp life h	Material
244201	1	4	39x4	10 m ³ /h	12 m ³ /h	1 1/2" F	8	Led/alarm	9000	Inox 304



! Power supply: 220 V/50 Hz. To ensure the proper operation and germicidal capacity of the UV systems, inlet water must be filtered at 10-5 µm. Please ask our technical department. Please, ask for other connectors, voltages and power frequencies.

UV lamp spare parts in page 301.

Spare parts for systems with 39 W lamp

UV lamp spare part

Code	Packaging units	Power W	Current	Diameter mm.	Length mm.
245000	1	39	425 mA	15,5	842

Phillips UV lamp

Code	Packaging units	Power W	Current	Diameter mm.	Length mm.
245014	1	39	150 mA	15,5	212

Q-sleeve spare part

Code	Packaging units	Diameter mm.	Length mm.
245400	1	23	895

Ballast spare part

Code	Packaging units	Input voltage	Connection
776400	1	220-240 V	C