

# 120 S Series

Cold, room and sparkling water.

Equipment for restaurants and restaurants.

Floor dispenser. Electronical, Stainless steel.

120 lph  
Cold water production



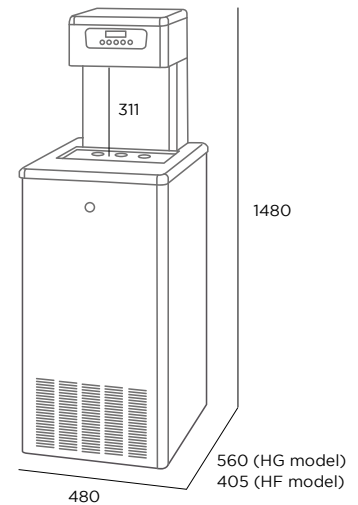
## SPECIFICATIONS:

Production: 120 l/h.  
Continuous production: 70 l.  
Temperature: 3 - 10 °C.  
Ice bank capacity: 6,5 Kg.  
Cooling sparkling: R290.  
Compressor power: 1/3 CV.  
Water outputs HG:  
3 (1 cold, 1 room, 1 sparkling).  
Water outputs HF:  
3 (1 cold, 1 room, 1 cold).  
Water inlet connection: 8 mm.  
\*Sparkling inlet connection: 8 mm.  
Materis: Stainless steel.  
Weight: 39-49 Kg (according to model).

\*Only models HG

## Accessories:

Adaptor H3/4" - Stem 8 mm.  
Elbow 8 mm.  
Adaptor M3/8" - 8 mm.  
2 m tube 8 mm.  
\*Pressure reducer CO<sub>2</sub>.



Room



Cold



Sparkling



Volume  
egulation



Electronical



Mechanical



Touchless



Under  
demand

Model	Room	Cold	Sparkling	Volume egulation	Electronical	Mechanical	Touchless	Under demand
980021 HG 120 E S	•	•	•	•	•			
980655 HG 120 E S TOUCHLESS	•	•	•	•	•		•	
980018 HF 120 E S	•	•		•	•			
980017 HF 120 S	•	•				•		
980656 HF 120 E S TOUCHLESS	•	•		•	•		•	•
980675 HF 120 S TOUCHLESS	•	•					•	

980043 Centering device for 3 bottles