

180 TOP Series

Cold, room and sparkling water.

Equipment for restaurants, hotels, buffets and restaurants.

Table-top dispenser. Steel-inox.

180 lph
Cold water production



SPECIFICATIONS:

Production: 180 l/h.
 Continuous production: 100 l.
 Temperature: 3 - 10 °C.
 Ice bank capacity: 11,5 Kg.
 Cooling sparkling: R290.
 Compressor power: 1/3 CV.
 Water outputs HG:
 3 (1 cold, 1 room, 1 sparkling).
 Water outputs HF:
 3 (1 cold, 1 room, 1 cold).
 Water inlet connection: 8 mm.
 *Sparkling inlet connection: 8 mm.
 Materials: Inox stee.
 Weight: 51-60 Kg (according to model).

Accessories:

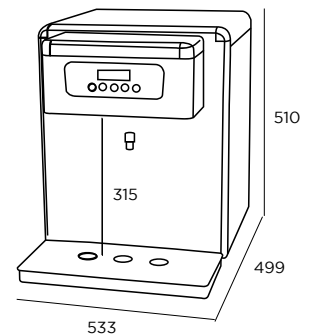
Adaptor H3/4" - Stem 8 mm.
 Elbow 8 mm.
 Adaptor M3/8" - 8 mm.
 2 m tube 8 mm.
 *Pressure reducer CO₂.



B1. Tray básica



B2. Tray con desagüe



*Only models HG



Model	Room	Cold	Sparkling	Volume regulation	Electrical	Mechanical	Touchless	Tray
980058 HG 180 E TOP B1	•	•	•	•	•			B1
980396 HG 180 E TOP B2	•	•	•	•	•			B2
980059 HG 180 TOP B1	•	•	•			•		B1
980400 HG 180 TOP B2	•	•	•			•		B2
980657 HG 180 E TOP B1 TOUCHLESS	•	•	•	•	•		•	B1
980658 HG 180 E TOP B2 TOUCHLESS	•	•	•	•	•		•	B2
980676 HG 180 TOP B1 TOUCHLESS	•	•	•				•	B1
980678 HG 180 TOP B2 TOUCHLESS	•	•	•				•	B2
980060 HF 180 E TOP B1	•	•		•	•			B1
980398 HF 180 E TOP B2	•	•		•	•			B2
980061 HF 180 TOP B1	•	•				•		B1
980402 HF 180 TOP B2	•	•				•		B2
980757 HF 180 E TOP B1 TOUCHLESS	•	•		•	•		•	B1
980758 HF 180 E TOP B2 TOUCHLESS	•	•		•	•		•	B2
980679 HF 180 TOP B1 TOUCHLESS	•	•					•	B1
980681 HF 180 TOP B2 TOUCHLESS	•	•					•	B2

980043 Centering device for 3 bottles