

# 45 L TOP Series

Cold, room, Hot and sparkling water.

Equipment suitable for offices, pubs, restaurants and cafés.

Table-top dispenser.  
Glass-ABS-Steel.

**45 lph**  
Cold water production



Cabinet optional



**PRODUCTO PREMIUM**

Modern and functional equipment with an Italian design. The use of high quality materials makes this equipment suitable for those establishments where the design is an essential part of the identity of the premises.

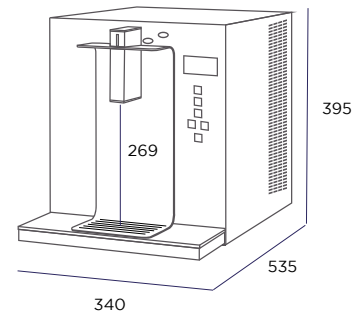
## SPECIFICATIONS:

- Production: 45 l/h.
- Continuous cold water production: 9 l.
- \*\* Hot water production: 15 l.
- Temperature agua cold: 3 - 10 °C.
- \*\*Hot water temperature: 98 °C.
- Ice bank capacity: 2 Kg.
- Cooling sparkling: R290.
- Compressor power: 1/10 CV.
- Water inlet connection: 8 mm.
- \*Sparkling inlet connection: 6 mm.
- Materials: Steel and ABS.
- Weight: 30-32 Kg (according to model).

\*Only models HGL  
\*\*Only models HGCL  
(Cabinet page 107)

## Accessories:

- Adaptor H3/4" - Stem 8 mm.
- Elbow 8 mm.
- Adaptor M3/8" - 8 mm.
- 1 m tube 8 mm.
- \*1 m tube 6 mm.
- \*Pressure reducer CO<sub>2</sub>.



		Room	Cold	Sparkling	Hot	Volume regulation	Electrical	Touchless
980127	HGL 45 E TOP	•	•	•		•	•	
980631	HGL 45 E TOP TOUCHLESS	•	•	•		•	•	•
980569	HFL 45 E TOP	•	•			•	•	
980855	HFL 45 E TOP TOUCHLESS	•	•			•	•	•
980795	HGCL 45 E TOP	•	•	•	•	•	•	