

→ Columbia Aqua

FC 2100 F (Ref.796309)

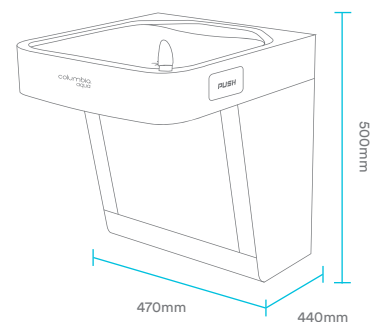
Filtration Water Dispensers (Wall)

FEATURES

TEMPERATURE	Cold
WORKING SYSTEM	Filtration
WEIGHT	26,5 Kg
POWER SUPPLY	220 Vac – 240 Vac / 50 Hz 0,5 Amp.
TANK CAPACITY	3 liters
TEMPERATURE CONTROL	Adjustable thermostat 4 – 12°C
REFRIGERANT GAS	R134A
INLET WATER PRESSURE (MAX.-MIN.)	7 - 1 bar
INLET WATER TEMPERATURE (MAX.-MIN.)	40°C - 2°C



COLD WATER PRODUCTION



WLG (B-60326279), is member of the Water Quality Association.



ACCREDITED BY ENAC
Certif. nº 34/5200/14/0712

The trading of water treatment and household appliances as well as designing and teaching of non-official training courses related with its technology are certified and comply with the UNE-ISO-9001 far WLG (B-60326279).



WLG (B-60326279) is an Aqua España member, who belongs Aqua Europa (Federation of European nation associations).



WLG (B-60326279), has the rights granted for Authorized Economic Operator with number ESAEOF18000008U6 and 13/02/2018 as a date of entry of the authorization.