

→ Direct Flow system reverse osmosis

# RO RUWA 600 GPD

(Ref.910996)

## DESCRIPTION

5-stage equipment  
Installation kit  
Intelligent faucet with status messages  
High-performance membrane with self-flushing  
Integrated hydraulic circuit  
Easy maintenance

## SPECIFICATIONS

DIMENSIONS	410 mm x 132 mm x 335 mm
WEIGHT	12,5 kg
FLOW	1,8 LPM
TEMPERATURE (max. - min.)	38 ° C - 5 ° C
INLET TDS (max.)	1500 ppm
PRESSURE (max. - mmn.)	4-1 bares 400 - 100 kPa
MEMBRANE	600 GPD
FAUCET	Smart faucet
PUMP	Booster
POWER SUPPLY	24VDC 96W
EXTERNAL ADAPTER	100-240VAC 50/60 Hz 4A

## ORIGINAL CONSUMABLES

Combination filter pp + Carbon Block (Ref. 910998)

RO Membrane 600 GPD ( Ref. 910999)



QUALITY CONTROL



DOUBLE FLOW



FILTER CONTROL



CAPSULATED MEMBRANE



FLUSHING READY



SOUND WARNINGS



SMART FAUCET



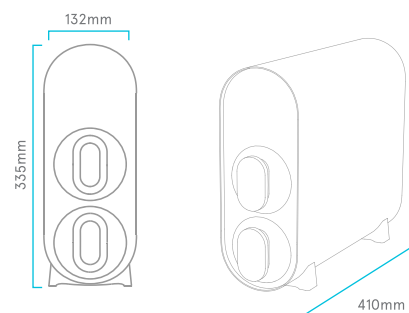
LED STATUS



ANTIFOULING PEARLS



**ANTIFOULING PEARLS**



WLG (B-60326279), is member of the Water Quality Association.



ACCREDITED BY ENAC  
Certif. nº 34/5200/14/0712

The trading of water treatment and household appliances as well as designing and teaching of non-official training courses related with its technology are certified and comply with the UNE-ISO-9001 far WLG (B-60326279).



WLG (B-60326279) is an Aqua España member, who belongs Aqua Europa (Federation of European nation associations).



WLG (B-60326279), has the rights granted for Authorized Economic Operator with number ESAEOF18000008U6 and 13/02/2018 as a date of entry of the authorization.