

Water dispenser tower mechanical Oldem

Mechanical Water dispenser tower.
2 or 3 types of water.

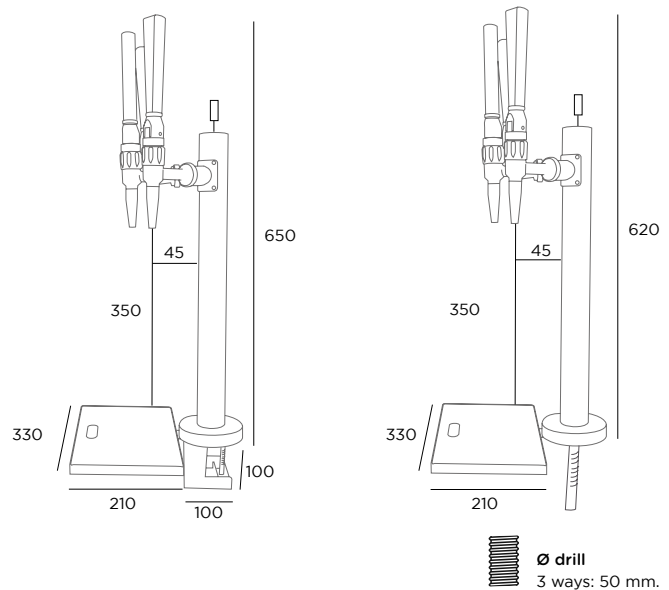


SPECIFICATIONS:

Columna acabado blanco cerámico.
Con 2/3 grifos dispensadores.
Includes Tray inoxidable.

Dos versiones según sistema de fijación:

- For taladrar en encimera, fijación mediante tube roscado 1 1/2" (50 mm.)
- Con soporte for fijar a la barra, con pinza tipo sargento.



		Fijación taladro	Fijación pinza
980413	Oldem column 3 types of water for drilling Basic tray	•	
980687	Oldem column 3 types of water for drilling Tray recessed	•	
980457	Oldem column 2 types of water for drilling Basic tray	•	
980688	Oldem column 2 types of water for drilling Tray recessed	•	
980415	Columna Oldem 3 types of water with clamp		•
980458	Columna Oldem 2 types of water with clamp		•